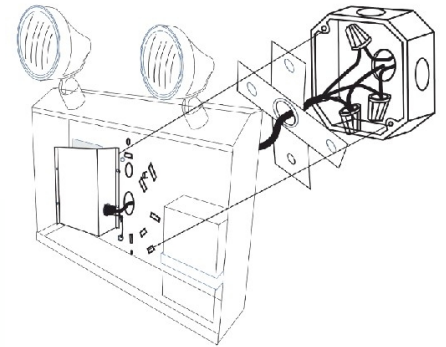
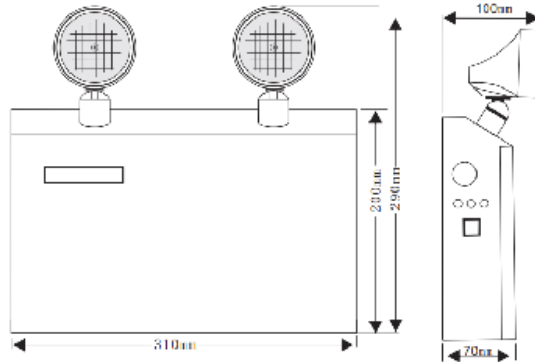


# LED Emergency Lighting Unit - 72W


**#1068 - BP-72W**


ELECTRICAL SPECS			
<b>Input Voltage</b>	100V-347VAC 50/60Hz	<b>Battery Type</b>	Lead-Acid
<b>Output Voltage</b>	12VDC	<b>Battery Charge Time</b>	24 hours (Up to 72 hrs for initial charge)
<b>Indicator</b>	Charge, Discharge, Test	<b>Battery Discharge Time</b>	@72W > 30 minutes @24W > 90 minutes
<b>Battery Capacity</b>	72W (12V x 7Ah)		
LIGHTING SPECS			
<b>Lamp Type</b>	LED	<b>Lamp Power</b>	2 x 2W (4W)
<b>Lamp Input Voltage</b>	6-12VDC	<b>LED Lumen Output</b>	260 lumens
<b>Safety Certification</b>	cCSAus	<b>Safety Standards</b>	CSA C22.2 No. 141-15 CAN/CSA-C22.2 No. 250.13-17
<b>LED Head Size</b>	2-5/8" Diameter	<b>Environmental Rating</b>	Damp Location
OTHER SPECS			
<b>Housing Material</b>	Powder Coated Steel Body Flame Retardant ABS Remote Head	<b>Material Grade</b>	UL 94V0
<b>Housing Colour</b>	White	<b>Operating Temperature</b>	0°C to 40°C / 32°F to 104°F
<b>Dimension (inch/mm)</b>	12.2" (W) x 7.87" (H) x 2.75" (D) 310mm (W) x 200mm (H) x 70mm (D)	<b>Installation Method</b>	Wall Mount, Pendant Mount
<b>Weight</b>	6.4 lbs / 2.9Kg	<b>Warranty</b>	5 Years