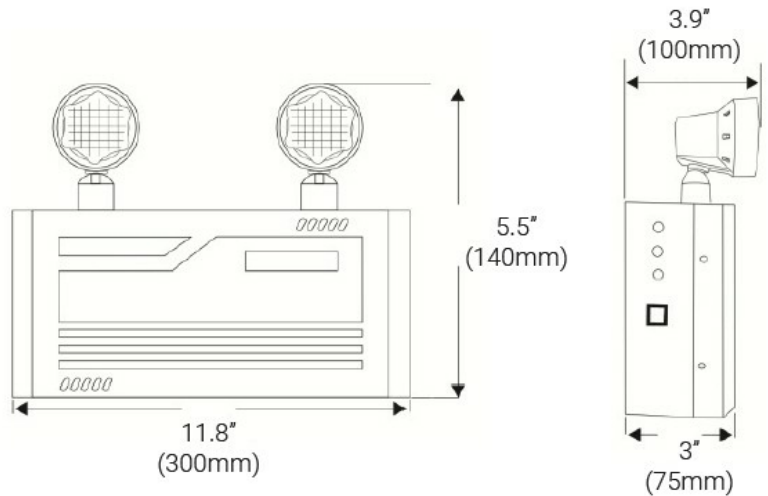


# LED Emergency Lighting Unit - 36W


**#1067 - BP-36W**


ELECTRICAL SPECS			
Input Voltage	100V-347VAC 50/60Hz	Battery Type	Lead-Acid
Output Voltage	6VDC	Battery Charge Time	24 hours (Up to 72 hrs for initial charge)
Indicator	Charge, Discharge, Test	Battery Discharge Time	> 2 hours
Battery Capacity	36W (6V 5Ah)		
LIGHTING SPECS			
Lamp Type	LED	Lamp Power	2 x 2W (4W)
Lamp Input Voltage	6VDC	LED Lumen Output	2 x 130 lumens (260 lumens)
Safety Certification	cCSAus	Safety Standards	CSA C22.2 No. 141-15 CAN/CSA-C22.2 No. 250.13-14
LED Head Size	2-5/8" Diameter	Environmental Rating	Damp Location
OTHER SPECS			
Housing Material	Powder Coated Steel	Material Grade	UL 94v0
Housing Colour	White	Operating Temperature	5°C to 30°C / 40°F to 86°F
Dimension (inch/mm)	11.8" (W) x 5.5" (H) x 3" (D) 300mm (W) x 140mm (H) x 75mm (D)	Installation Method	Wall Mount, Pendant Mount
Weight	6.1 lbs / 2.77 Kg	Warranty	5 Years