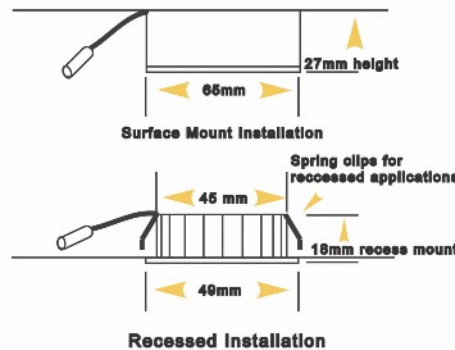


LED PUCK LIGHTS

LED Puck Lights replace traditional 20W Halogen puck lights with LED technology saving 90% of energy while increasing life 25 times.

LED 12SMD PUCK LIGHT 3000K

- Wattage (W): 2W
- Voltage (V): 12V DC
- Lumens (lm): 180 lm per puck
- Life (Hrs): 50,000 Hrs
- Halogen Equivalent: 20W Halogen
- Colour Temperature: 3000K
- Dimmable: No



LED 12SMD PUCK LIGHT 4500K

- Wattage (W): 2W
- Voltage (V): 12V DC
- Lumens (lm): 200 lm per puck
- Life (Hrs): 50,000 Hrs
- Halogen Equivalent: 20W Halogen
- Colour Temperature: 4500K
- Dimmable: No

