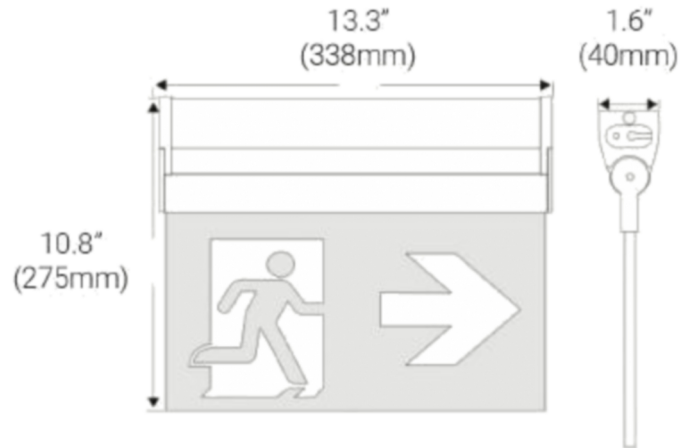


# Self-Powered EDGE-LIT LED Running Man


**#991 - LED EX102-EDGE**


ELECTRICAL SPECS			
<b>Input Voltage</b>	120V-347VAC 50/60Hz	<b>Battery Type</b>	Sealed Nickel-Cadium (Ni-Cd)
<b>System Power</b>	2W	<b>Battery Charge Time</b>	8 hours
<b>Indicator</b>	AC-ON, Test	<b>Battery Discharge Time</b>	> 2 hours
<b>Battery Capacity</b>	3.6V 1.0h (4W)	<b>Safety Certification</b>	cCSAus
LIGHTING SPECS			
<b>Lamp Type</b>	LED	<b>Illuminating Surface Uniformity</b>	79%
<b>Lens Material</b>	Acrylic	<b>Running Man Sign Luminance</b>	7 cd/m2
OTHER SPECS			
<b>Housing Material</b>	Die Cast Aluminum	<b>Material Grade</b>	UL-94v0
<b>Housing Colour</b>	White	<b>Operating Temperature</b>	5°C to 30°C / 40°F to 86°F
<b>Dimension (inch/mm)</b>	13.3" (W) x 10.8" (H) x 1.6" (D) 338mm (W) x 275mm (H) x 40mm (D)	<b>Installation Method</b>	Ceiling Mount, Wall Mount, Flag Mount
<b>Environmental Rating</b>	Damp Location	<b>Safety Standards</b>	CAN/CSA-C860-11 CSA C22.2 No. 141-15 CAN/CSA-C22.2 No. 250.13-14
<b>Weight</b>	3.2 lbs / 1.46 Kg	<b>Warranty</b>	5 Years