

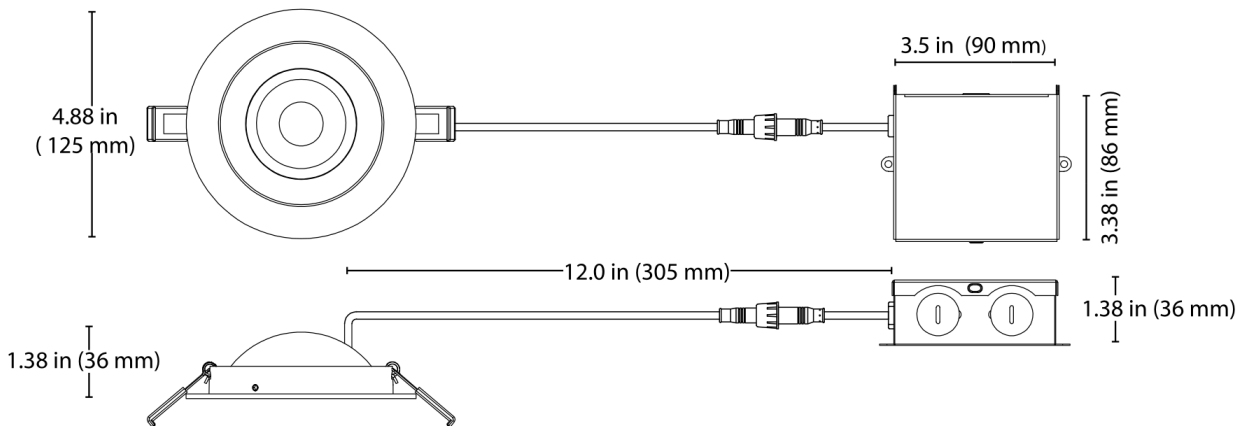
## Floating LED Gimbal Downlight

<b>Model No:</b>	<b>#1097 - TL4-3CCT-WH (White)</b> <b>#1098 - TL4-3CCT-BK (Black)</b>
<b>Wattage:</b>	9W
<b>Colour Temperature:</b>	Colour Selectable 3000K / 4000K / 5000K
<b>Voltage:</b>	120VAC
<b>Light Output:</b>	900 lm
<b>Rated Life:</b>	50,000 Hrs.
<b>Base Type:</b>	Hardwire
<b>Efficiency:</b>	100 lm/W
<b>Dimmable:</b>	Yes
<b>Certifications:</b>	cETLus, Type IC Rated, Airtight
<b>CRI:</b>	> 80
<b>Gimbal Articulation:</b>	90° Tilt 360° Rotation
<b>Height:</b>	1.38 inches / 36 mm (Excluding Driver)
<b>Diameter:</b>	4.88 inches / 125 mm
<b>Driver Height:</b>	1.38 inches / 36 mm
<b>Beam Angle:</b>	30°
<b>Environmental Rating:</b>	Wet Location
<b>Hole Size Cutout:</b>	4"
<b>Carton Quantity:</b>	40 per Carton
<b>Warranty:</b>	5 Years



## Floating LED Gimbal Downlight

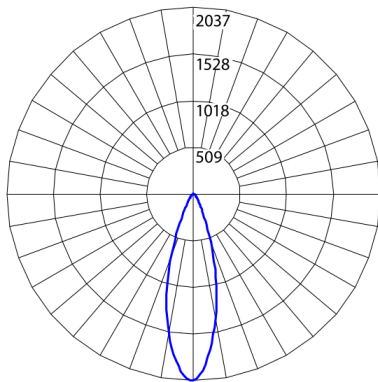
### Dimensions



### Photometric Data

#### Testing

Input Voltage (VAC)	120V
System Level Power (W)	8.8
Delivered Lumens (Lm)	900
System Efficacy (Lm/W)	90
Correlated Color Temp (K)	2761
Color Rendering Index (CRI)	80
Beam Angle	30°
Spacing Criteria	0.47



#### Intensity Summary (Candle Power)

Angle	Mean CP
0	2036
5	1784
15	925
25	277
35	97
45	46
55	28
65	19
75	11
85	3
90	0

#### CCT Data Multiplier

3000K	1.062
3500K	1.127
4000K	1.161
5000K	1.155

#### Cone of Light Tabulation

Mounted height (Feet)	Footcandles Beam Center	Diameter (Feet)
4	126.1	2.0
6	55.0	3.0
8	30.1	4.0
10	18.6	5.1
12	12.4	6.1
14	8.8	7.1
16	6.4	8.1

#### Zonal Lumen Summary

Zone	Lumens	% of Luminaire
0-30	685	77.8%
0-40	763	86.6%
0-60	838	95.2%
0-90	880	100%
90-180	0	0%
0-180	880	100%